



Single Port Single Fiber Gigabit Media Converters - LC Fiber Port (G-MC-MMDFLC20K)

Single Port Single Fiber Gigabit Media Converter



- ◆ Single fiber bi-directional transmission with applications WDM wavelength of 850nm/ 1310nm/ 1550nm
- ◆ Ethernet 10base-T or 100Base – TX to 100Base – FX or 1000Base-T to 1000Base-LX/SX fiber media transition
- ◆ Supports IEEE 802.3U; IEEE 802.3X; IEEE 802.3z/AB; IEEE 802.1d standard
- ◆ The electrical interface port supports 1000Mbps, 100Mbps, 10Mbps, both ends of the electrical interface port can use different speed (Working bandwidth for full-duplex is line-speed 2XMbps)
- ◆ Features with link loss diagnosis, electrical port link diagnosis and optical port link diagnosis, dynamic data transmission, full-duplex/half-duplex, speed indicator
- ◆ Provide stand-alone RJ-45 electrical interface port, automatic cross connection with switch and hub network

Product Description

This single port single fiber gigabit media converter features with link loss diagnosis, electrical port link diagnosis and optical port link diagnosis, dynamic data transmission, full-duplex/half-duplex, speed indicator. It provides the stand-alone RJ-45 electrical interface port, automatic cross connection with switch and hub network. High-performance optical fiber interface, good compatibility and high reliability, fully compatible with other devices.

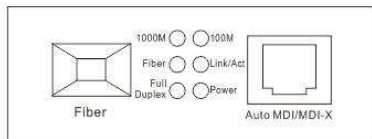
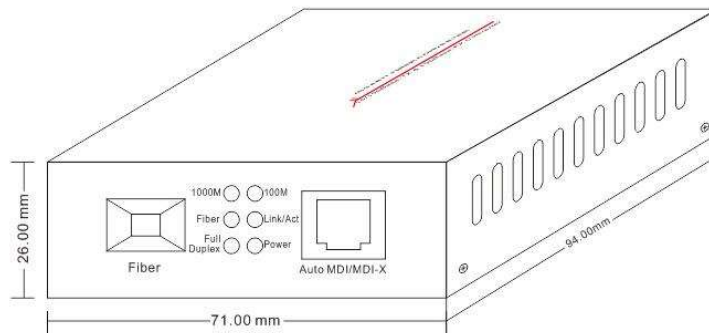
Applied Situations:

1. Bad industrial environment or high requirements for Lightning protection
2. Intelligent transportation supervisory system (ITS) and safe city
3. High speed way supervisory/ Tele-communication system, IP network camera
4. Security surveillance system of large corporations, multi-function network system

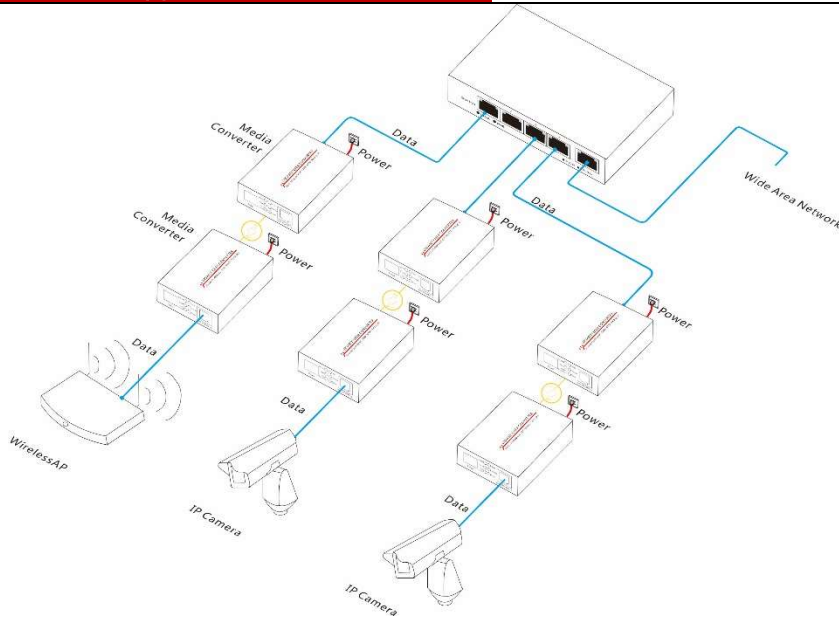
Technical Specification

Product Name	Single Port single Fiber Gigabit Media Converter
Model	
Description	Gigabit single electrical port, single mode/multimode single fiber media converter
Interface	1x copper cable RJ45 port +1x LC fiber port
Transmission	20km. can be customized 550m, 40km, 60km or 100km
Optic Fiber	single fiber, single mode/ multimode
Broadband	1.25G
Rate	1000MHz
Network Media	100BASE-TX/1000BASE-TX: Cat5 and more UTP
Protocol	IEEE 802.3i;IEEE 802.3u;IEEE 802.3x Flow Control; IEEE 802.3af DTE Power via MDI
Architecture	Store and forward
EMI Safety	FCC Class A, CE
Power Supply	External power supply
Total Power	5W
Warranty	1 year warranty, life-long maintenance
Packing List	Gigabit Media Converter, User Guide, Power Adapter

Product Size



Product Application



Product Ordering Information

Model	Specs(LC Fiber Port, External Power Supply)	Maximum Transmission
G-MC-MMDFLC20K	10/100/1000M single mode single fiber media converter, SFP LC port, 1310nm	20km

Note: Can be customized different specifications according to customers' needs; can be customized

the fiber transmission distance (550m, 20km, 40km, 60km, 100km)

Product Packing Lists

Package List	single Fiber Gigabit Media Converter
	User Guide
	Power Adapter
	Warranty Card

